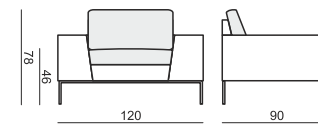
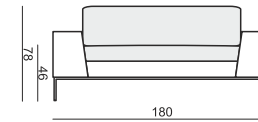


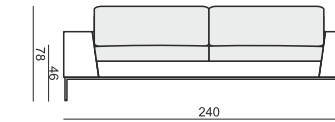
ARMCHAIR



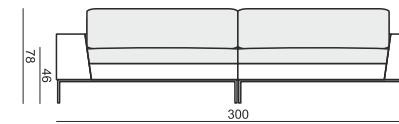
2 SEATER



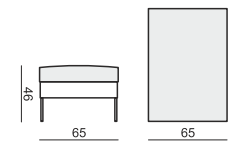
3 SEATER



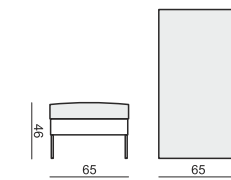
4 SEATER two parts



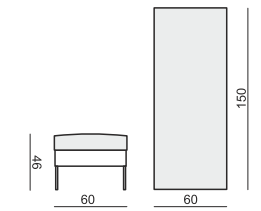
FOOTSTOOL 93x65



FOOTSTOOL 123x65

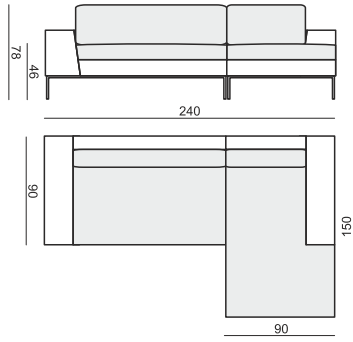


FOOTSTOOL 150x60

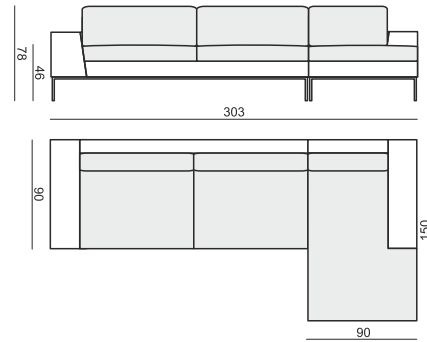


3 SEATER + FOOTSTOOL 123x65

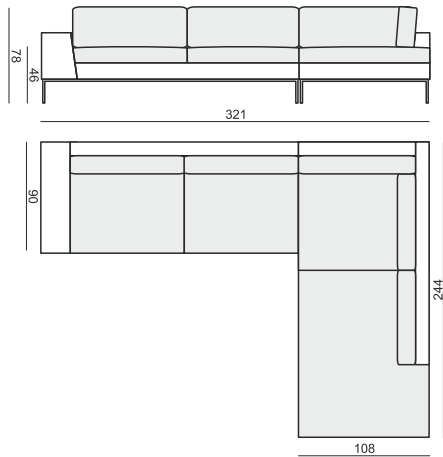
SET 1 RIGHT (or LEFT)
2 SEATER LEFT (or RIGHT) + CHAISelongue RIGHT (or LEFT)



SET 2 RIGHT (or LEFT)
3 SEATER LEFT (or RIGHT) + CHAISelongue RIGHT (or LEFT)

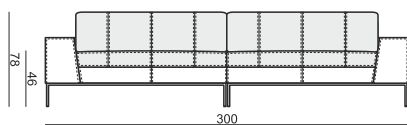


SET 3 RIGHT (or LEFT)
3 SEATER LEFT (or RIGHT) + DIVAN RIGHT (or LEFT)

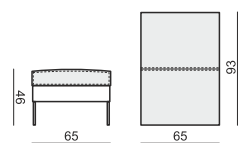


EXAMPLE OF LEATHER COVER

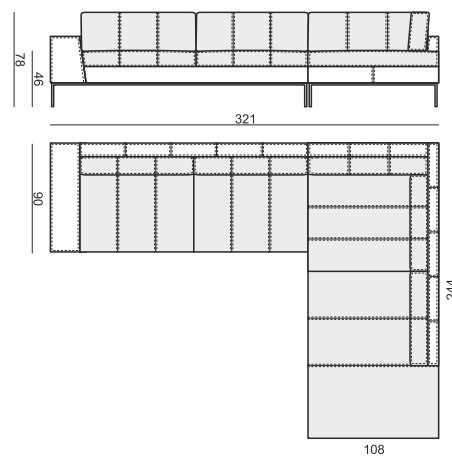
4 SEATER two parts



FOOTSTOOL 93x65



SET 3 RIGHT (or LEFT)
3 SEATER LEFT (or RIGHT) + DIVAN RIGHT (or LEFT)



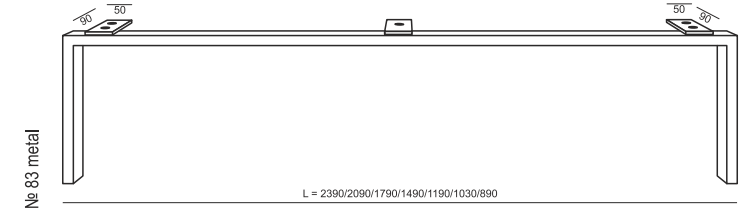
SITS reserves the right to change construction of products and components used due to improving durability of product and customer satisfaction without any further notice. Explicit ±2 cm tolerance of all elements sizes.



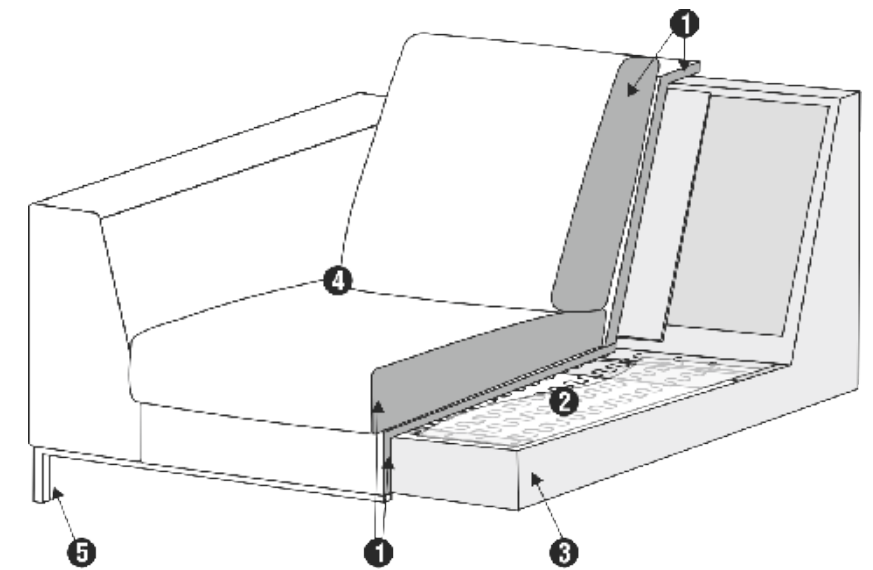
FOOTSTOOL 150x60 LEATHER

UPHOLSTERY FABRIC or LEATHER: FC - fix cover

FEET

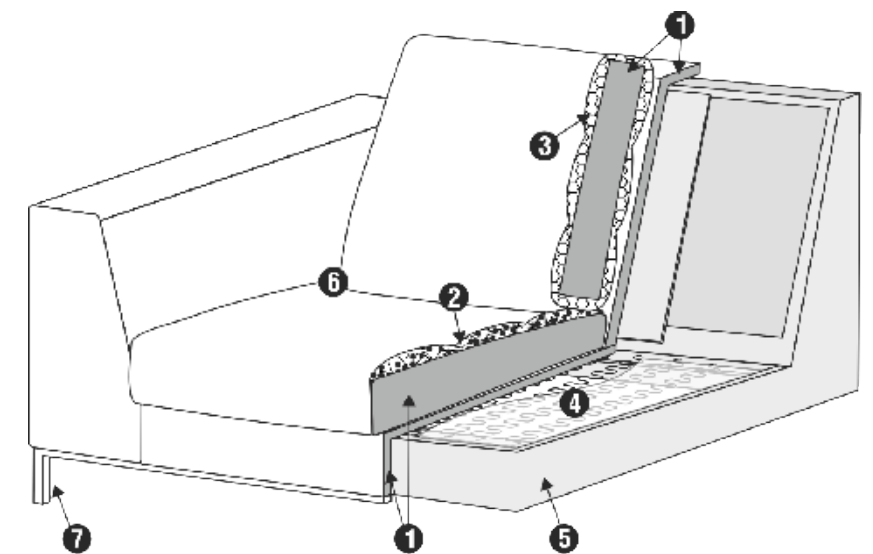


STANDARD COMFORT



1. polyurethane foam / high resilient polyurethane foam
2. springs
3. solid wood and wood based elements
4. fabric or leather
5. metal legs

LUX COMFORT



1. polyurethane foam / high resilient polyurethane foam
2. cushion chamber with mix of feather and silicone balls
3. silicone balls
4. springs
5. solid wood and wood based elements
6. fabric or leather
7. metal legs