

SITS
— comfortable life



home
& family

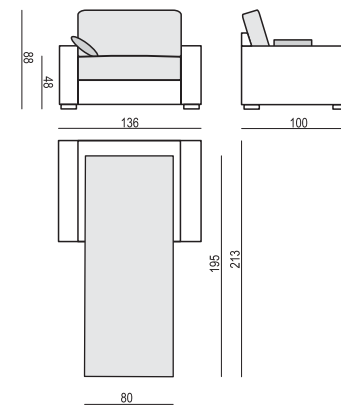
LUKAS

LUKAS

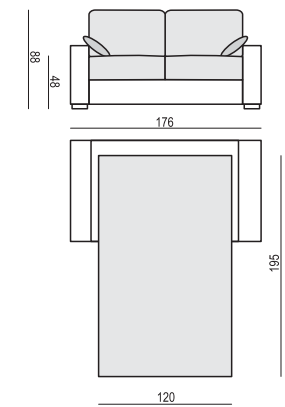
Drawings show combinations with armrest II.
Combinations with other armrest are properly longer or shorter in width.
Foam or bonell mattress available.

www.sits.eu
JANUARY 2018

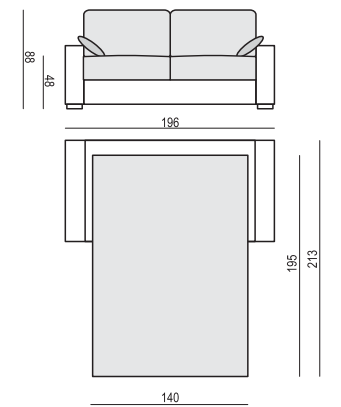
ARMCHAIR SOFA BED



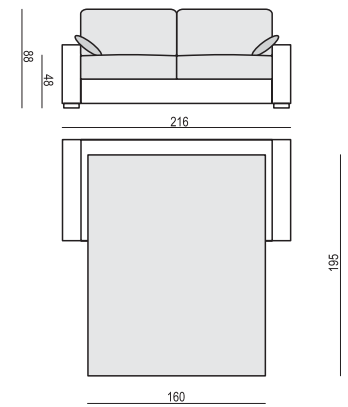
2 SEATER SOFA BED



3 SEATER SOFA BED

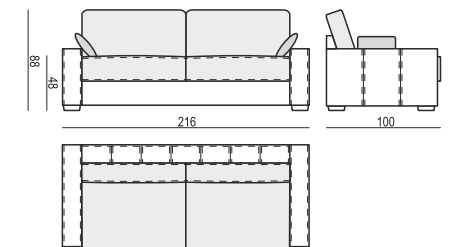


4 SEATER SOFA BED



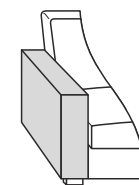
EXAMPLE OF LEATHER COVER

4 SEATER SOFA BED

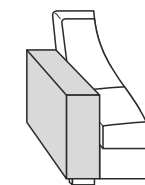


ARMRESTS

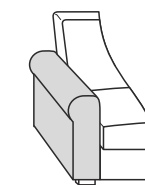
ARMREST I
cm 98 x 12 x 54 H



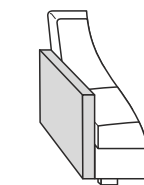
ARMREST II
cm 98 x 17 x 54 H



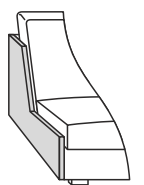
ARMREST III
cm 98 x 18 x 54 H



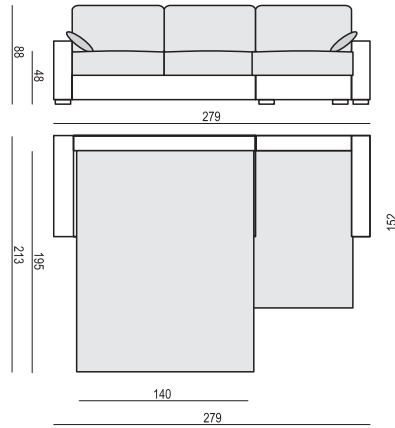
ARMREST IV
cm 98 x 5 x 54 H



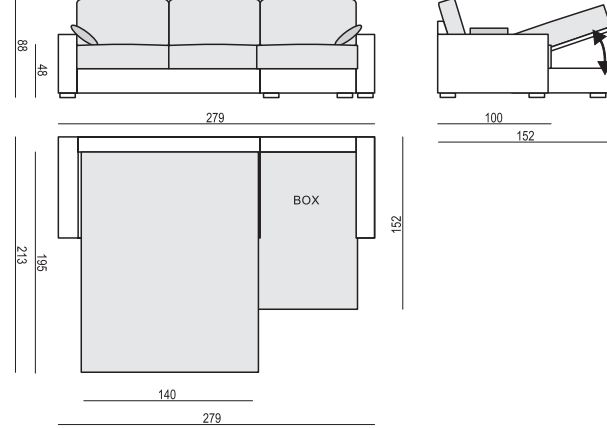
ENDPART LEFT (or RIGHT)
cm 95 x 4 x 64 H



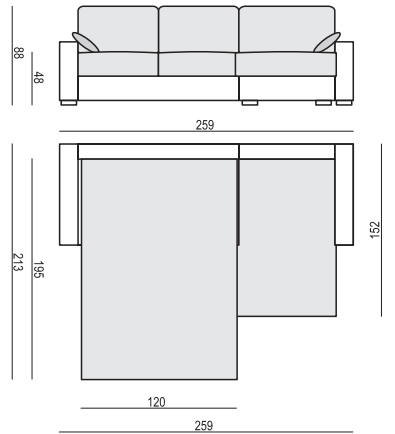
SET 1 RIGHT (or LEFT)
3 SEATER SOFA BED LEFT (or RIGHT) + CHAISELONGUE RIGHT (or LEFT)



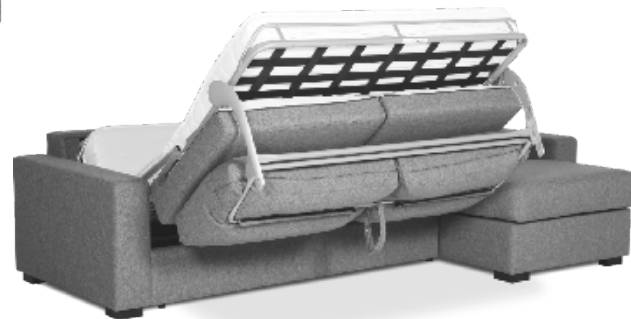
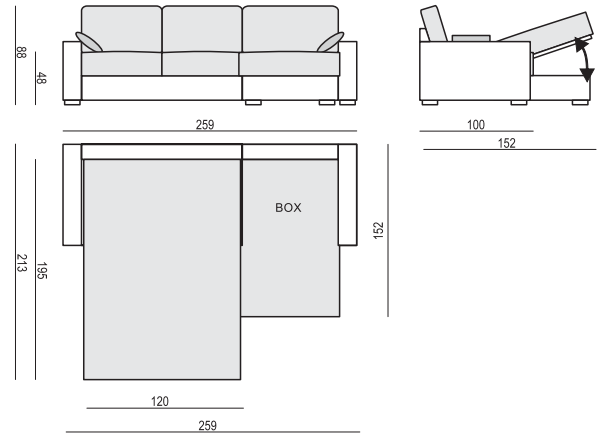
SET 2 RIGHT (or LEFT)
3 SEATER SOFA BED LEFT (or RIGHT) + CHAISELONGUE BOX RIGHT (or LEFT)



SET 3 RIGHT (or LEFT)
2 SEATER SOFA BED LEFT (or RIGHT) + CHAISELONGUE RIGHT (or LEFT)



SET 4 RIGHT (or LEFT)
2 SEATER SOFA BED LEFT (or RIGHT) + CHAISELONGUE BOX RIGHT (or LEFT)



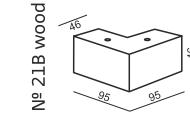
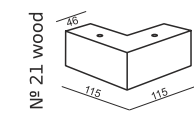
UPHOLSTERY

FABRIC or LEATHER: FC - fix cover

FEET

ARMREST II

ARMREST I and III



COMFORT

1. polyurethane foam/ high resilient polyurethane foam
2. polyurethane foam or bonnell springs mattress
3. foam flakes with silicone balls
4. silicone balls
5. FSC certified solid wood and wood based elements
6. metal mechanism
7. fabric or leather
8. FSC certified solid wood legs