

Bob

SITS



Bob

UPHOLSTERY



fabric



leather

COMFORTS

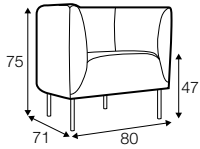


STD standard

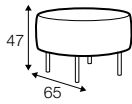
COVERS



FC fixed

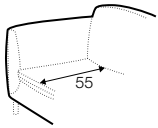


armchair



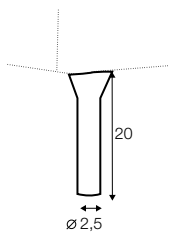
footstool round

extra dimensions

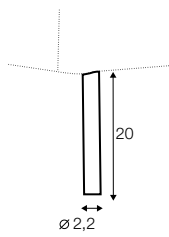


depth of seat

legs

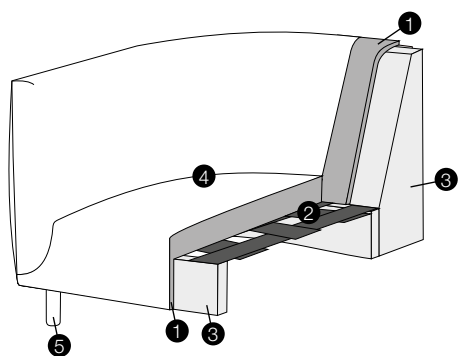


no. 188
wood



no. 162
metal chrome,
painted black or grey
and brushed steel

profile



standard

1. polyurethane foam / high resilient polyurethane foam
2. upholstery belts
3. FSC® certified solid wood and wood based elements
4. fabric or leather
5. solid wood/metal legs