

# Stella leather

SITS



# Stella leather

UPHOLSTERY COMFORTS



leather



STD standard



LUX lux

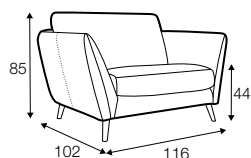


CLS classic

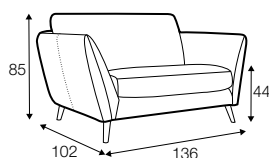


FC fixed

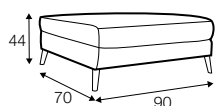
COVERS



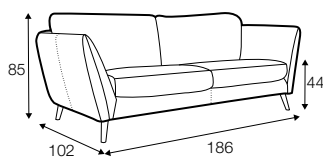
armchair



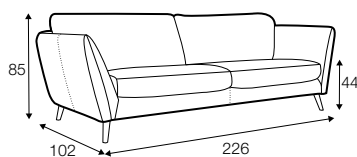
armchair wide



footstool 90x70

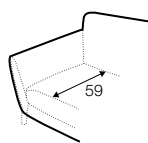


2 seater



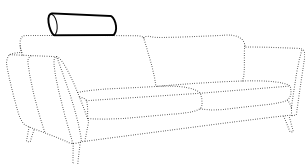
3 seater

## extra dimensions

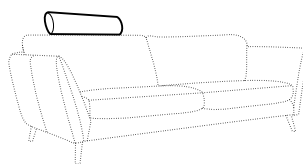
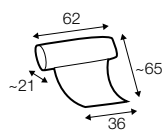


depth of seat

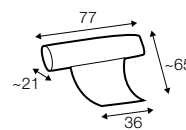
## accessories



headrest L-62

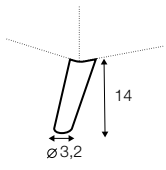


headrest L-77

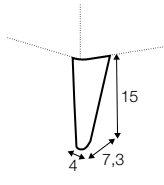


## legs

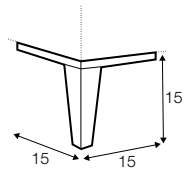
---



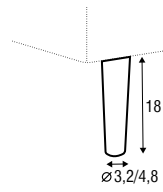
no. 141A  
wood  
recommended



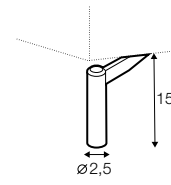
no. 91  
wood



no. 152  
wood



no. 141  
wood

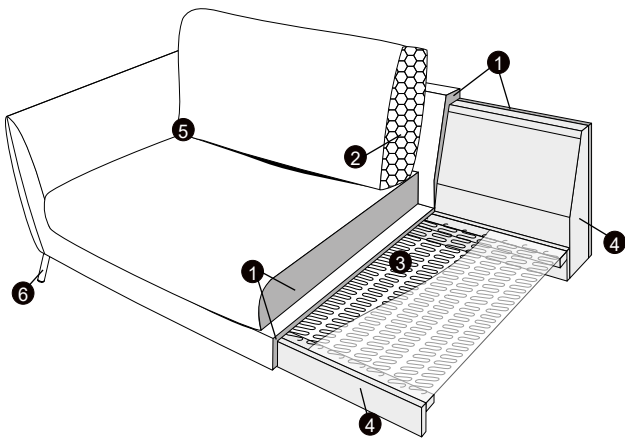


no. 145A  
metal chrome,  
painted black or grey  
and brushed steel\*

\*please check a cost of brushed steel finish with a sale representative.

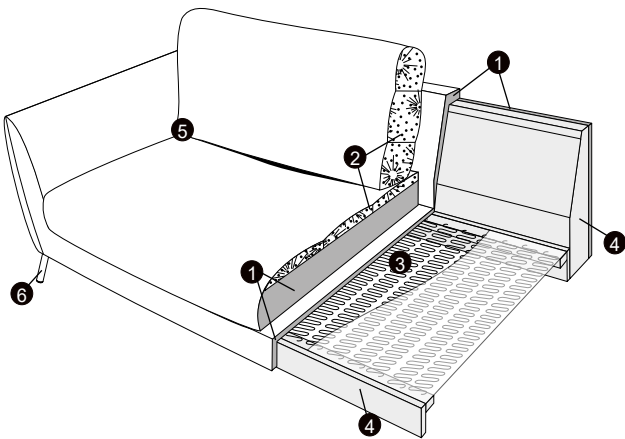
## profile

---



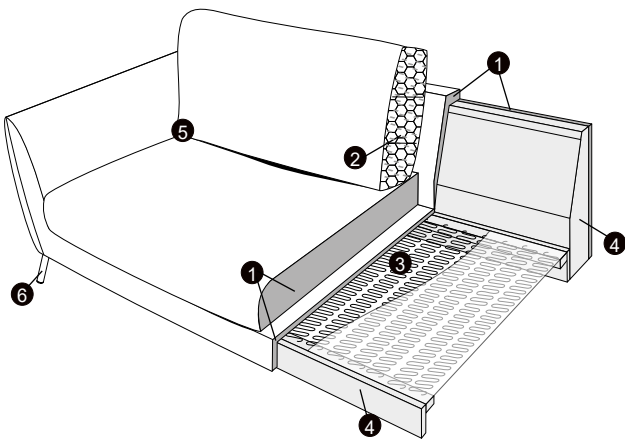
### standard

1. polyurethane foam/high resilient polyurethane foam
2. silicone balls lux
3. springs
4. FSC® certified solid wood and wood based elements
5. fabric
6. FSC® certified solid wood or metal legs



### lux

1. polyurethane foam/ high resilient polyurethane foam
2. cushion chamber with mix of feather and silicone balls
3. springs
4. FSC® certified solid wood and wood based elements
5. fabric
6. FSC® certified solid wood or metal legs



### classic

1. polyurethane foam/high resilient polyurethane foam
2. silicone balls with foam sticks
3. springs
4. FSC® certified solid wood and wood based elements
5. fabric
6. FSC® certified solid wood or metal legs