

Nova leather

SITS



Nova leather

UPHOLSTERY

COMFORTS

COVERS



leather



STD standard



LUX lux

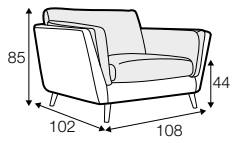


CLS classic

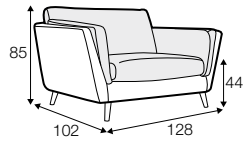


FC fixed

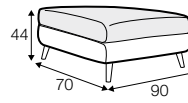
Drawings shown height with leg no. 141A H-14.



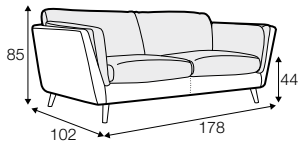
armchair



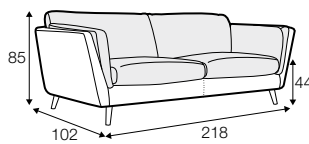
armchair wide



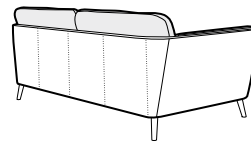
footstool 90x70



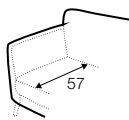
2 seater



3 seater

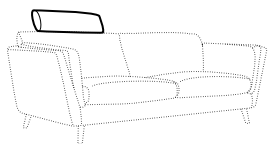


extra dimensions

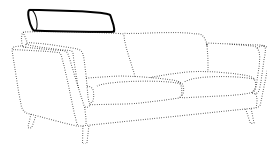
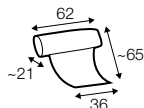


depth of seat

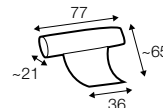
accessories



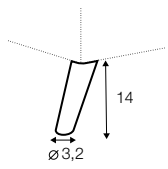
headrest L-62



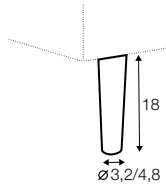
headrest L-77



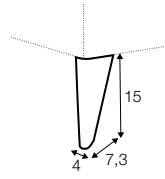
legs



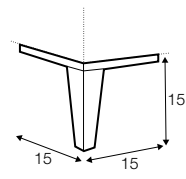
no. 141A
wood
recommended



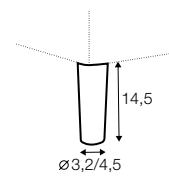
no. 141B
wood



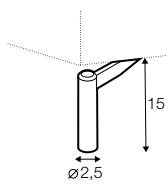
no. 91
wood



no. 152
wood

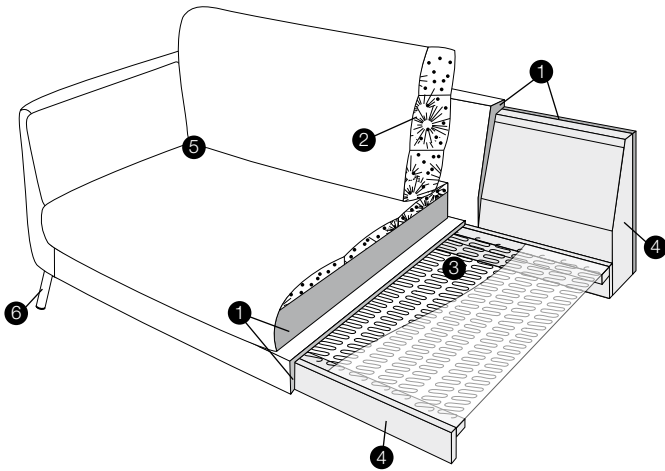


no. 153
wood



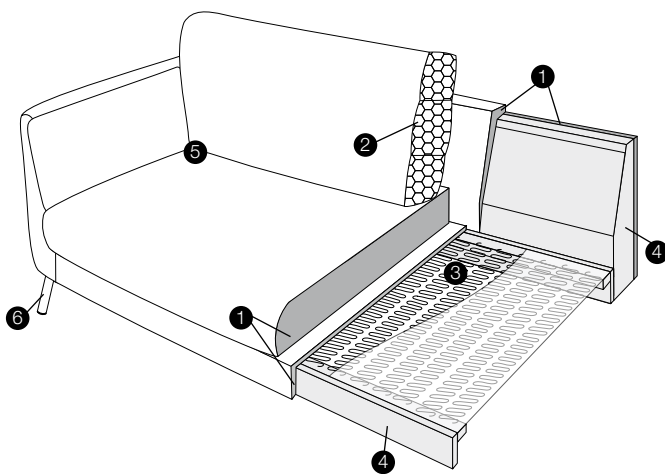
no. 145A
metal chrome,
painted black

profile



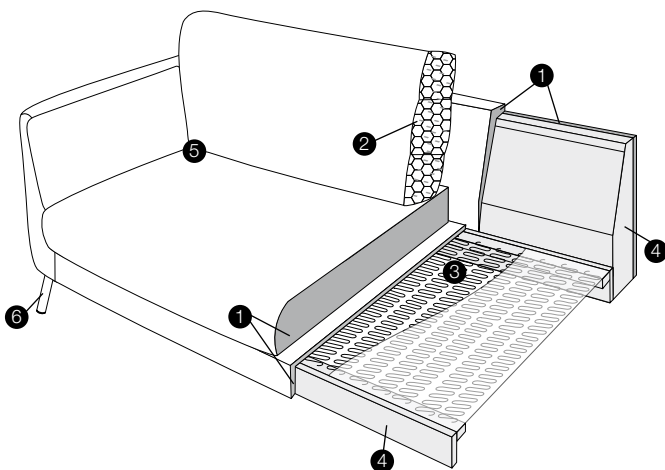
lux

1. polyurethane foam/ high resilient polyurethane foam
2. cushion chamber with mix of feather and silicone balls
3. springs
4. solid wood and wood based elements
5. leather
6. solid wood or metal legs



standard

1. polyurethane foam/ high resilient polyurethane foam
2. silicone balls
3. springs
4. solid wood and wood based elements
5. leather
6. solid wood or metal legs



classic

1. polyurethane foam/ high resilient polyurethane foam
2. silicone balls with foam sticks
3. springs
4. solid wood and wood based elements
5. leather
6. solid wood or metal legs